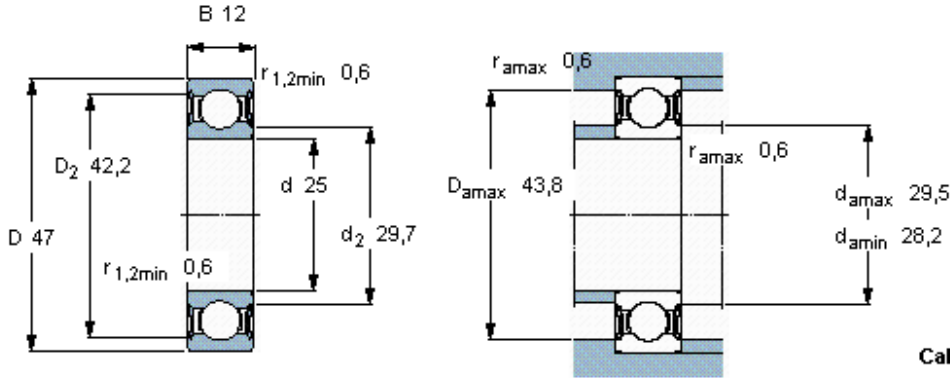


Deep groove ball bearings, single row, hybrid bearings

Principal dimensions			Basic load ratings		Speed ratings	Limiting speed	Designation
d	D	B	dynamic C	static C0	Reference speed		
mm			kN		r/min		-
25	47	12	11,9	6,55	40000	22000	6005-2RSLTN9/HC5C3WT



Calculation factor

$f_0 14$